



HD
HEAT DESIGN™

THE COMPLETE
VITAE COLLECTION



Try the Environmentally friendly
Online version of this Brochure

Vitae Cassette Stoves



The Vitae Cassette Stoves have been designed to create a stunning focal point in any room. They incorporate the latest technology that ensures they burn fuel with superior efficiency. Created and constructed with thought and care, this stove comes in five styles, each one exuding sophistication and a contemporary design.

Features

- Sleek Contemporary design with beautiful views of the fire
- Tertiary air system for increased efficiency
- Airwash system for clear glass
- Cool touch handle
- Easy to light
- Easy to install
- After sales service and technical support
- 5kW and 8kW are EcoDesign ready
- Available with 3 or 4 sided frame (5kW / 8kW 4 sided only)
- Steel frame option available on the 5kW and 8kW
- Outside air: *standard* on 5kW and 8kW, *optional* on 6kW, 9kW and 11kW

 **Hidden handle option available on all models** 



Vitae 6kW Cassette



Vitae 9kW Cassette



Vitae 11kW Cassette



Steel Frame Option
(5kW & 8kW only)



Vitae 5kW Landscape



Vitae 8kW Landscape

Technical Information

	6kW Cassette	9kW Cassette	11kW Cassette	5kW Landscape	8kW Landscape
Efficiency up to	83.8%	81.2%	78.1%	81.2%	82.9%
Nominal Output	6kW 20,472BTU	9kW 30,708BTU	11kW 37,532BTU	5kW 17,060BTU	8kW 27,296BTU
Flue Diameter	153mm	153mm	153mm	127mm	127mm
Fuel Type	Wood or solid fuel*	Wood or solid fuel*	Wood or solid fuel*	Wood	Wood
Weight (kg)	88	99	115	90	105
Dimensions (mm)	680H x 547W x 335D	680H x 670W x 335D	680H x 795W x 335D	505H x 625W x 335D (v1) 505H x 625W x 355D (v1.1)	505H x 835W x 335D (v1) 505H x 835W x 355D (v1.1)

*If burning coal, a multifuel kit must be used. This kit is available to purchase separately.
Wood moisture content should be below 20% for optimum burning.

Cover Page:

Vitae 9kW Cassette Stove with 4 sided frame. Pictured with 58" Shelbourne Fireplace in Ivory Pearl.



Lyon Marfil with Vitae 11kW Cassette



Vitae 8kW Landscape



Brampton with Vitae 6kW Cassette



Vitae 6kW Cassette



Vitae 9kW Cassette



Florence with Vitae 8kW Landscape



Heritage with Vitae 5kW Landscape



Glass top optional

The Vitae Freestanding Cassette stove carries all the same outstanding features as the traditional cassette but has the added benefit of increased versatility within the home. Outside air as standard.
Available in 6, 9 & 11kW models.

Vitae Boiler Stoves

The Vitae Glass Fronted Insert Boiler Stove will fit perfectly into any standard fireplace. It offers a cost efficient alternative to the more traditional central heating system.

Features

- Large viewing glass and sleek glass fronted stove door
- High chrome grate for optimal fuel burn
- Suitable for outside primary air
- Airwash technology for clear glass
- Full cast iron construction
- Reduces heat loss up the flue when unlit
- Available in 18kW and 25kW



Vitae 18kw Boiler



Vitae 25kw Boiler

Technical Information

	18kW Boiler	25kW Boiler
Efficiency up to	80%	77.10%
Output to Room	5.6kW / 19,107BTU	9kW / 30,708BTU (wood) 7kW / 23,884BTU (coal)
Output to Water	12.1kW / 41,285BTU	16kW / 54,585BTU (wood) 16kW / 54,585BTU (coal)
No of Radiators	10	14
Flue Diameter	153mm	153mm
Fuel Type	Wood or solid fuel*	Wood or solid fuel*
Weight (kg)	145	185
Dimensions (mm)	589H x 503W x 359D	600H x 656W x 359D

*If burning coal, a multifuel kit must be used. This kit is available to purchase separately.
Wood moisture content should be below 20% for optimum burning.

Heat your hot water & radiators



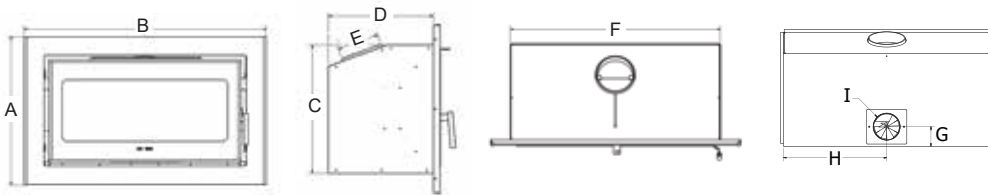
Donegal with Vitae 25kW Insert Boiler

Vitae Drawings & Dimensions

Vitae Landscape Cassette Stove Line Drawings (Four Sided Frame)

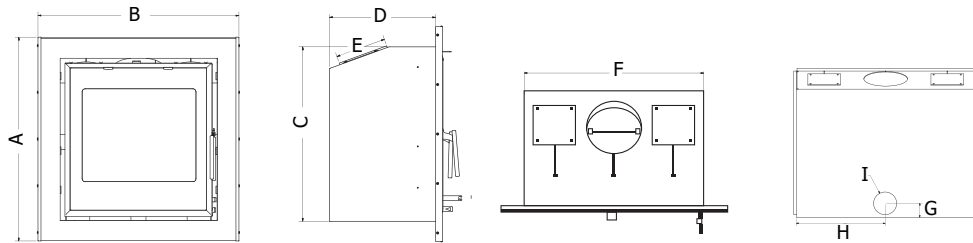
Dimensions mm	A	B	C	D	E	F	G	H	I
5kW Cassette	505	625	410	335/355*	127	531	71	268	97
8kW Cassette	505	835	410	335/355*	127	742	71	372	97

*Version 1 Depth = 335. Version 1.1 Depth = 355



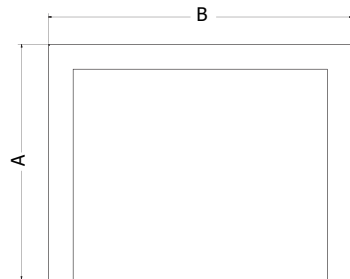
Vitae Cassette Stove Line Drawings (Four Sided Frame)

Dimensions mm	A	B	C	D	E	F	G	H	I
6kW Cassette	680	547	550	335	153	408	53	204	97
9kW Cassette	680	670	550	335	153	533	53	267	97
11kW Cassette	680	795	550	335	153	658	53	327	97



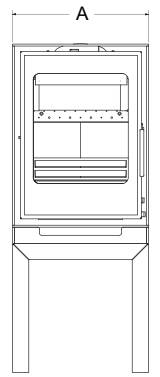
Vitae Cassette Three Sided Frame

Dimensions mm	A	B
6kW Cassette	610	547
9kW Cassette	610	670
11kW Cassette	610	795



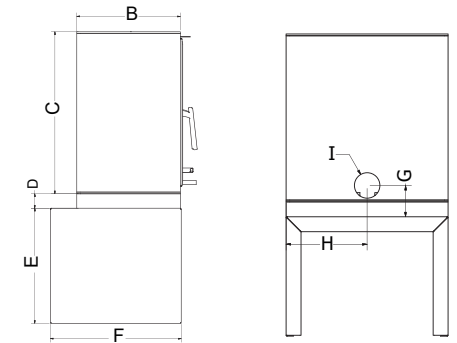
Vitae Freestanding Cassette Stove Line Drawings

Dimensions mm	A	B	C	D	E	F	G	H	I
6kW FS	418	360	563	50	400	455	105	209	97
9kW FS	543	360	563	50	400	455	105	271.5	97
11kW FS	667	360	563	50	400	455	105	333.5	97



Multifuel Kit & 20 Degree Bend

For burning coal, you must use a multi-fuel kit which ensures the coal burns more efficiently and helps to protect your stove.



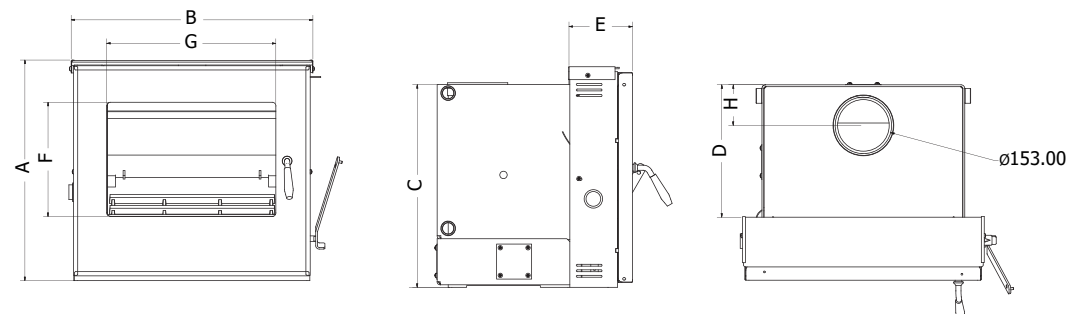
Bench dimensions

Bench Size mm	Height	Width	Depth
6kW bench	400	418	455
9kW bench	400	543	455
11kW bench	400	667	455
Long bench	400	1000	455



Vitae Boiler Stove Line Drawings

Dimensions mm	A	B	C	D	E	F	G	H
18kW Boiler	595	503	555	359	170	300	300	146
25kW Boiler	600	656	550	359	172	310	459	110







www.heatdesign.ie

60 Hawthorn Road, Western Industrial Estate, Dublin 12, D12 E2WF, Ireland.

Tel +353 1 408 9192. Fax +353 1 408 9193 info@heatdesign.ie