

THE  
**GALLERY**  
COLLECTION



**STOVE COLLECTION**

2023-24 1ST EDITION





## CONTENTS

STOVES	6
FIREPLACE CHAMBERS	28
CHAMBER TRIM KIT	33
CHAMBER TILES	34
HEARTHES	36
FIREPLACE BEAMS	40
TECHNICAL INFORMATION	42





## COMBINING SUPREME CRAFTSMANSHIP, QUALITY MATERIALS, AND ELEGANCE.

**The Gallery Collection presents an extensive range of traditional and contemporary fireplaces and stoves. Built on 70 years of experience in the fireplace industry we combine supreme craftsmanship, quality materials and elegance in design.**

Our desire is to provide you with a superb choice of fireplaces skilfully made with high quality materials, all fitted in your home by reputable retailers so you can enjoy the experience of buying and owning your own individual fireplace.

The fireplace suites and fires within the collection represent classic fireplace designs, some infused with a contemporary twist, aimed to complement a variety of interior styles. Many designs are available in a variety of stone finishes including Portuguese limestone, Natural marble, Micro marble, and Granite all capable of combining with our extensive range of gas and electric fires, casts, baskets and stoves.

The Gallery Collection offers a unique selection of natural stone mantels and quality cast iron fireplace options including inserts, fascias and fire baskets, as well as a wide selection of more traditional cast iron combination fireplaces. Our range will allow you to burn a variety of fuels, there is something for everyone and even the choice to install one of our realistic electric fires appliances.

The Gallery Collection features a range of stoves suitable for many scenarios and fuel types. Our multifuel stoves are fully CE/UKCA approved and ClearSkies certified to the 2022 Ecodesign emissions and efficiency standards.

Pictured: Chiswick 56" Kallos marble mantel featuring the Classic Warm White gas stove, Charcoal Slate Waterfall chamber, and Honed Granite hearth.

## STOVES

The Gallery Collection presents an extensive range of traditional and contemporary stoves, combining supreme craftsmanship, quality materials and elegance in design. There's nothing quite like the feeling invoked by the comforting glow and warmth of a cast iron stove. Our desire is to provide you with a superb choice of high performance, efficient stoves that are skilfully made with high quality materials.

There are many factors and considerations that will determine which stove is ideally suited to take pride and place in your home. Featured within this brochure are a range of stoves suitable for many build applications, with a host of fuel options, including wood, gas, electric or multifuel.

A multifuel stove has many similar characteristics to a wood-burning stove in appearance and design. Multifuel, in essence refers to the burning capability of the stove, therefore the permitted fuels you are able to use would include wood, smokeless coal, wood pellets or peat. Burning house coal is not permitted and could cause damage to your appliance due to the higher temperature of which it burns.

Many parts of the UK are smoke control areas where you cannot emit smoke from a chimney unless you're burning an authorised fuel or using 'exempt appliances', In a smoke control area you can only burn fuel on the list of authorised fuels, or any of the following 'smokeless' fuels as mentioned below, unless you're using an exempt appliance. All of which need to be in accordance with the manufacturer's instructions.

- Anthracite
- Semi-anthracite
- Low volatile steam coal

The comprehensive list of authorised fuels can be found at [www.gov.uk](http://www.gov.uk)

To help you make the perfect choice we have put together an easy to read table on page 45 to enable you to compare the features and specifications of each stove. The Gallery collection allows you to choose from a range of authentic fireplace chambers & hearths, timeless period combination casts, solid fuel and gas stoves, inset gas fires & decorative baskets. All this together with your fireplace accessory needs, allowing you to create that perfect focal point to your living space. Don't forget, your retailer is on hand with helpful advice to assist you with your decision.

Pictured: Helios 5 Eco Stove shown with Brompton.





# ECODESIGN STOVES



Ecodesign Ready Stoves in accordance with the Governments clean air strategy are designed to reduce emissions by burning wood more efficiently taking into account the long term environmental impact of the appliance during its whole lifecycle.

Only appliances that have been tested and verified as meeting these new limits will be able to be sold and installed legally within the UK.

The emission limits include those for Particulate Matter (PM), Organic Gaseous Compounds (OGC), Carbon Monoxide (CO) and Nitrogen Oxides (NO<sub>x</sub>).

SIA Ecodesign Ready stoves will meet the new regulation which will come into force on the 1st January 2022 all of the stoves featured in the Gallery Collection are Ecodesign ready stoves, pledging our support to a greener sustainable future in order to further reduce the impact of climate change.





# READY TO BURN



Whilst we continue to develop new and enhanced products to improve efficiency and clean burning, it is the critical issue of wood fuel that plays the biggest role in the air quality solution. A stove is only as good as the wood it burns.

Burning wet wood is inefficient as it demands a lot of heat to vaporise the water before the appliance can give out the proper level of heat to the room, hot water or heating systems. In turn, this creates a lot of smoke which damages the chimney blackens the appliance and contributes to air pollution. Dry wood that has been properly sourced and seasoned means it produces fewer particulates, more heat efficiency and less maintenance. Chimneys are less likely to block and will remain easier to sweep.

The government-backed Ready to Burn scheme is compliant with EU timber regulations and will set a benchmark for logs and other wood fuels in the UK to help with identifying wood that has been carefully chosen and ready to burn.

For more details and to find your nearest stockist visit [www.woodsure.co.uk/are-you-ready-to-burn/](http://www.woodsure.co.uk/are-you-ready-to-burn/)



# CLASSIC 5 ECO STOVE

A+



## MULTIFUEL STOVE

Shown with Palmerston Mantel 48", porcelain slate brick bond chamber & 48" slabbed granite hearth & back hearth

HEAT OUTPUT	UP TO 5KW
EFFICIENCY	UP TO 82.5%
FUEL TYPE	MULTIFUEL*

\*Only wood and smokeless fuels may be used in smoke controlled areas



# CLASSIC 5 GAS STOVE



## GAS STOVE

Shown with 48" grey oak timber effect beam, Navarra chamber and Tapestry hearth

NATURAL GAS HEAT OUTPUT	UP TO 3.8KW
LPG HEAT OUTPUT	UP TO 3.7KW
EFFICIENCY	UP TO 81%
FUEL TYPE	GAS/LPG

# CLASSIC 8 ECO BLACK STOVE

A+



## MULTIFUEL STOVE

Shown with 54" Luca mantel in Agean limestone, porcelain slate brick bond chamber & 54" Harlequin ceramic hearth

NOMINAL HEAT OUTPUT & RANGE	5KW (2.5 - 8KW)
EFFICIENCY	UP TO 84%
FUEL TYPE	MULTIFUEL*

\*Only wood and smokeless fuels may be used in smoke controlled areas



# CLASSIC 8 ECO WARM WHITE STOVE

A+



## MULTIFUEL STOVE

Shown with 54" Richmond in Agean limestone, 54" slabbed granite hearth & back hearth and olive slate waterfall chamber

NOMINAL HEAT OUTPUT & RANGE	5KW (2.5 - 8KW)
EFFICIENCY	UP TO 84%
FUEL TYPE	MULTIFUEL*

\*Only wood and smokeless fuels may be used in smoke controlled areas



# CLASSIC 8 GAS WARM WHITE STOVE



## GAS STOVE

Shown with Asquith mantel, grey brick chamber and honed granite hearth

NATURAL GAS HEAT OUTPUT	UP TO 4.8KW
LPG HEAT OUTPUT	UP TO 4.5KW
EFFICIENCY	UP TO 79%
FUEL TYPE	GAS/LPG

# CLASSIC 8 GAS BLACK STOVE



## GAS STOVE

Shown with Persian limestone Brompton mantel, staggered grey white chamber & slabbed porcelain slate tiled hearth

NATURAL GAS HEAT OUTPUT	UP TO 4KW
LPG HEAT OUTPUT	UP TO 4.5KW
EFFICIENCY	UP TO 79%
FUEL TYPE	GAS/LPG

# DARWIN GAS STOVE

LPG **B** GAS **D**



## CONVENTIONAL / BALANCED FLUE

Shown with light oak effect geocast beam, olive slate waterfall chamber and Harlequin tile slabbed hearth

FLUE AND FUEL TYPE	OUTPUT (NOMINAL)	EFFICIENCY (UP TO)
BALANCED FLUE NATURAL GAS	5.6KW	75%
CONVENTIONAL FLUE LPG GAS	4.9KW	74%
BALANCED FLUE LPG GAS	4.5KW	68%
CONVENTIONAL FLUE NATURAL GAS	4.3KW	74%

\*Concentric Flue Size (LPG model available)



# FIREFOX 5 ECO STOVE

A+



## MULTIFUEL STOVE

Shown with rustic dark oak geocast beam, red ceramic brick chamber, chamber trim kit & slabbed natural slate hearth

HEAT OUTPUT	UP TO 5KW
EFFICIENCY	UP TO 82.5%
FUEL TYPE	MULTIFUEL*

\*Only wood and smokeless fuels may be used in smoke controlled areas



# FIREFOX 5 GAS STOVE



## GAS STOVE

Shown with Heritage geocast beam, Zamora chamber and honed granite hearth

NATURAL GAS HEAT OUTPUT	UP TO 3.8KW
LPG HEAT OUTPUT	UP TO 3.7KW
EFFICIENCY	UP TO 81%
FUEL TYPE	GAS/LPG

# FIREFOX 8 ECO STOVE

A+



## MULTIFUEL STOVE

Shown with 56" Brompton mantel in Agean limestone, porcelain slate brick bond chamber & slabbed 56" Star tile hearth

NOMINAL HEAT OUTPUT & RANGE	5KW (2.5 - 8KW)
EFFICIENCY	UP TO 84%
FUEL TYPE	MULTIFUEL*

\*Only wood and smokeless fuels may be used in smoke controlled areas



# FIREFOX 8 GAS STOVE



## GAS STOVE

Shown with 48" dark oak timber effect geocast beam, Soria chamber and natural slate hearth

NATURAL GAS HEAT OUTPUT	UP TO 4.8KW
LPG HEAT OUTPUT	UP TO 4.5KW
EFFICIENCY	UP TO 79%
FUEL TYPE	GAS/LPG

# HELIOS 5 ECO STOVE

A+



## MULTIFUEL STOVE

Shown with rustic dark oak geocast beam, grey ceramic brick chamber & slabbed Diamond Quarry hearth

HEAT OUTPUT	UP TO 5KW
EFFICIENCY	UP TO 82.5%
FUEL TYPE	MULTIFUEL*

\*Only wood and smokeless fuels may be used in smoke controlled areas



# HELIOS 5 GAS STOVE



## GAS STOVE

Shown with stone geocast beam, Lucena chamber and porcelain slate hearth

NATURAL GAS HEAT OUTPUT	UP TO 3.8KW
LPG HEAT OUTPUT	UP TO 3.7KW
EFFICIENCY	UP TO 81%
FUEL TYPE	GAS/LPG

# HELIOS ECO MAX STOVE

A+



## MULTIFUEL STOVE

Shown with stone geocast beam, grey ceramic brick chamber and slabbed Diamond Quarry hearth

NOMINAL HEAT OUTPUT & RANGE	5KW
EFFICIENCY	86%
FUEL TYPE	MULTIFUEL*

\*Only wood and smokeless fuels may be used in smoke controlled areas



# SOLANO ELECTRIC STOVE



## ELECTRIC STOVE

Shown with Santiago chamber, polished Granite hearth, and grey oak timber effect beam



# TIGER ECO STOVE

A+



## MULTIFUEL STOVE

Shown with graphite slate waterfall chamber, Farmhouse stone hearth and dark oak effect geocast beam

NOMINAL HEAT OUTPUT & RANGE	UP TO 5KW
EFFICIENCY	UP TO 78%
FUEL TYPE	MULTIFUEL*

\*Only wood and smokeless fuels may be used in smoke controlled areas



# TIGER GAS STOVE

E



## GAS STOVE

Shown with 48" light oak timber effect beam, rustic brick chamber, and granite hearth

NATURAL GAS HEAT OUTPUT	UP TO 4.8KW
LPG HEAT OUTPUT	UP TO 4.5KW
EFFICIENCY	UP TO 79%
FUEL TYPE	GAS/LPG

# TIGER CUB ECO STOVE

A



## MULTIFUEL STOVE

Ideal leisure home use and suitable for smoke controlled areas

HEAT OUTPUT	UP TO 4KW
EFFICIENCY	UP TO 81%
FUEL TYPE	MULTIFUEL*

\*Only wood and smokeless fuels may be used in smoke controlled areas



## FIREPLACE CHAMBERS

Our extensive range of UK manufactured stove chambers and tiles offer a very simple, speedy and cost effective solution to creating the perfect fireplace opening.

With a variety of materials to choose from including natural stone and real brick, there is certainly a chamber to suit all tastes.





STEEL GREY BRICK BOND CHAMBER



STEEL GREY HERRINGBONE CHAMBER



ANDALUSIA CHAMBER



URBAN DUSK CHAMBER



URBAN DUSK HERRINGBONE CHAMBER



SANTIAGO CHAMBER



ICED GREY CHAMBER



ICED GREY HERRINGBONE CHAMBER



ZAMORA CHAMBER



HIGHLAND RED BRICK  
BOND CHAMBER



HIGHLAND RED  
HERRINGBONE CHAMBER



SORIA CHAMBER



NAVARRA CHAMBER



LUCENA CHAMBER



ANDINA CHAMBER



PLATINUM CHAMBER



PARCHMENT CHAMBER



ATOLL CHAMBER



SLATE STAGGERED OYSTER  
BLOCK CHAMBER



BLACK STAGGERED  
SLATE BLOCK CHAMBER



GREY WHITE STAGGERED  
SLATE CHAMBER



DOVE GREY CHAMBER



OLIVE SLATE  
WATERFALL CHAMBER



CHARCOAL SLATE  
WATERFALL CHAMBER



PORCELAIN SLATE  
BRICK BOND CHAMBER



PORTUGUESE LIMESTONE  
BLOCK CHAMBER



VERMICULITE REEDED  
CHAMBER



RUSTIC GREY BRICK  
CHAMBER



RUSTIC BRICK CHAMBER



RUSTIC HERRINGBONE  
BRICK CHAMBER



RUSTIC BRICK CHAMBER  
WITH FRONT RETURNS & ARCH



RUSTIC BRICK CHAMBER  
WITH FRONT RETURNS  
(NO ARCH)



## CHAMBER TRIM KIT

Our Chamber Trim Kit is a simple, elegant design to create a neat finish to any chamber installation. Simple to fix and the trim can be cut to size to fit any opening.



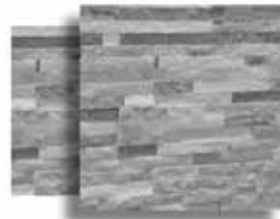
## SPLIT FACE TILES



BLACK SPLIT FACE  
PANEL



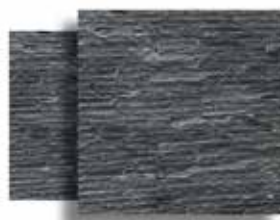
OYSTER SPLIT FACE  
PANEL



WHITE/GREY SPLIT  
FACE PANEL



OLIVE WATERFALL SPLIT  
FACE PANEL



CHARCOAL WATERFALL  
SPLIT FACE PANEL



DOVE GREY SPLIT  
FACE PANEL

## CERAMIC CORNER TILES



NAVARRA



ANDALUSIA



ZAMORA



LUCENA



SANTIAGO



SORIA

# CERAMIC TILES



NAVARRA



ANDALUSIA



LUCENA



SANTIAGO



SORIA



ZAMORA



ANDINA



PLATINUM



PARCHMENT



ATOLL



HIGHLAND RED



ICED GREY



URBAN DUSK



STEEL GREY

# FIREPLACE HEARTHES

With such a varied range of hearths, we make it easy for you to create a truly unique fireplace. We offer a variety of hearths in many shapes and sizes and suitable for use with all fuel types. Please consult with your nearest Gallery dealer to determine the correct hearth specification for you.

## MADE TO MEASURE FARMHOUSE HEARTHES

Inspired by country style decor and living, this textured limestone with its appearance of slate is warm and cosy in appearance but strong and robust in character. Honed with chiselled edges, it is blue grey in colour and looks rustic and antique in appearance. Strive to create something a little more interesting! When it comes to the layout of your hearth, you can get much more striking design with these modular multi sized pieces enabling you to produce a modular design to your specifications. With a variety of different size options for front and back hearths to suit most fireplace requirements, it's a fantastic alternative to traditional granite or slate.

All Farmhouse products are sold as individual components. Your retailer will be able to advise what best suits your requirements.



### EXAMPLES OF HOW COMPONENTS FIT TOGETHER



## CERAMIC HEARTH TILES



HIGHLAND RED



URBAN DUSK



ICED GREY

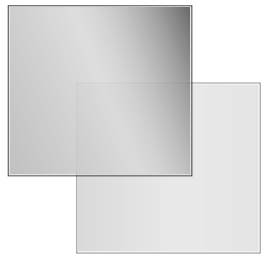


STEEL GREY

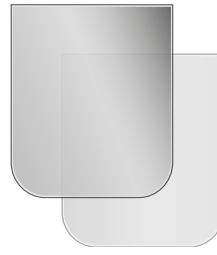
# GLASS AND GRANITE HEARTHES

These high quality glass & granite hearths are a contemporary alternative to complement any multifuel or wood burning stove.

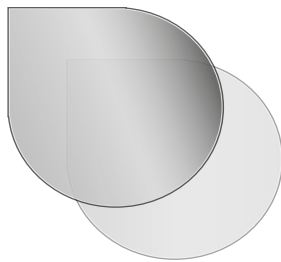
The glass hearths are constructed from 12mm toughened glass and are available in smoked or transparent glass. The granite hearths are constructed from 20mm natural black granite and are available honed or polished. There are six shapes available to choose from:



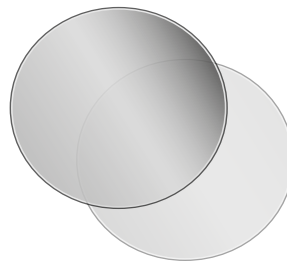
SQUARE



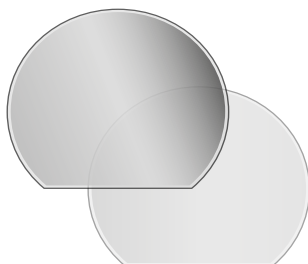
SEMI CIRCLE



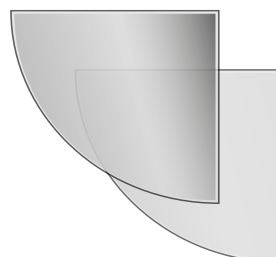
TEARDROP



CIRCULAR\*



TRUNCATED



QUADRANT\*

\*AVAILABLE IN GLASS ONLY



HIGHLAND RED TILED HEARTH



URBAN DUSK TILED HEARTH



ICED GREY TILED HEARTH



STEEL GREY TILED HEARTH



PORTUGUESE LIMESTONE HEARTH



MEYSTONE HEARTH



PORCELAIN BLACK SLATE TILE HEARTH



GRAPHITE/CHARCOAL SLATE TILE HEARTH



ANTHRACITE SLATE TILE HEARTH



LIGHT GREY SLATE TILE HEARTH



NATURAL SLATE HEARTH



EBONY GRANITE HEARTH



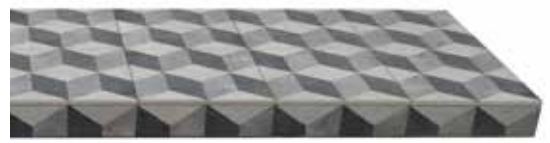
DIAMOND QUARRY BLACK/WHITE HEARTH



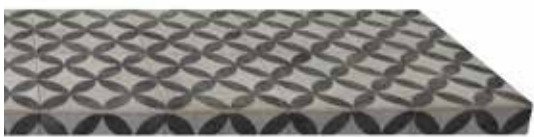
DIAMOND QUARRY BLACK/RED HEARTH



HARLEQUIN TILED HEARTH



CUBE TILED HEARTH



STAR TILED HEARTH



TAPESTRY TILED HEARTH

## FIREPLACE BEAMS

We offer a selection of fireplace beams made from either natural or man-made materials. The realistic oak effect fireplace beams now look even more realistic than ever before and are available in light and dark oak effect. Available in 48" and 54" with or without downlights they are lightweight and moulded from three separate natural oak beams. Newly developed, the material is composed of natural inorganic minerals which is non-toxic and unburnable offering many advantages over wooden beams.







48" DARK OAK TIMBER EFFECT BEAM



48" GREY OAK TIMBER EFFECT BEAM



48" LIGHT OAK TIMBER EFFECT BEAM



48" & 54" RUSTIC DARK OAK



48" & 54" RUSTIC NATURAL OAK



48" HERITAGE BEAM



42", 48" & 54" DARK GEOCAST OAK BEAM



42", 48" & 54" LIGHT GEOCAST OAK BEAM



48" & 54" CONTEMPORARY BEAM



48" STONE BEAM



48" & 54" DARK GEOCAST OAK BEAM WITH LIGHTS



48" & 54" LIGHT GEOCAST OAK BEAM WITH LIGHTS



SMALL DECORATIVE BEAM BRACKET



LARGE DECORATIVE BEAM BRACKET

## TECHNICAL INFORMATION

From intricate spare parts, research & development to advice on installation design and comprehensive chimney systems, the Technical Team are a go-to resource for customers & consumers with a combined experience of over 165 years in the gas and solid fuel industry.





# DETERMINE YOUR CHIMNEY

The Chimney or flue in your house will normally determine what kind of fire you will choose.

## STEP ONE

Identify which type of chimney you have or whether you have no chimney using the information below.



Commonly in older houses, earlier than 1960. The Class 1 chimney is identifiable by 7" (180mm) or greater diameter flue. The existing chimney must be structurally sound, please check before the installation of a new fireplace.

CLASS 1 CHIMNEY



Either an older house where the existing chimney has been lined by a proprietary steel flue or a newer house with a steel flue built in. This chimney type is identifiable by a 5" (130 mm) diameter flue and a steel flue terminal.

CLASS 2 CHIMNEY



Modern houses generally later than 1960 often have a pre-cast concrete chimney system, identifiable by a rectangular box section flue and a terminal, as illustrated in the picture above.

PRE-CAST FLUE



Modern houses often have no chimney. You can use a modern decorative electric fire, either with no heat for aesthetics or an efficient fire with up to 2kW heat output.

NO CHIMNEY

## STEP TWO

Now you know what type of chimney you have (or if you have no chimney) you can decide on the type of fire and preferred source of fuel. Ensure that the fire can be matched with a suitable suite combination.

FIRE TYPE	CLASS 1 CHIMNEY	CLASS 2 CHIMNEY	PRE CAST	NATURAL GAS	LPG	NO CHIMNEY REQUIRED
GAS STOVES	✓	✓	✓***	✓	✓	✓****
SOLID FUEL STOVES	✓	✗	✗	N/A	N/A	✓*****
ELECTRIC STOVES	✓	✓	✓	N/A	N/A	✓

\* Selected products available in balanced flue options

\*\* Can be installed to a twin wall flue system

Please note, this information is provided as a guide. Please check the appliance instructions for details of the installation requirements.

# STOVE INFORMATION

STOVE	FUEL TYPES	OUTPUT (UP TO)	EFFICIENCY (UP TO)	ERP RATING	CLEAN BURN	SIA	COLLAR SIZE	FLUE LINER SIZE	TOP FLUE	REAR FLUE
CLASSIC 5 ECO	MULTI*	5.0kW	82.5%	A+	✓	✓	125mm	5"	✓	✓
CLASSIC 5 GAS	GAS/LPG	3.8kW NG 3.7kW LPG	81%	D	N/A	N/A	125mm	5"	✓	✗
CLASSIC 8 ECO (AVAILABLE IN BLACK OR WARM WHITE)	MULTI*	*2.5kW - 8.0kW	84%	A+	✓	✓	125mm	5"	✓	✓
CLASSIC 8 GAS	GAS/LPG	4.8kW NG 4.5kW LPG	79%	E	N/A	N/A	125mm	4" & 5"#	✓	✗
DARWIN BALANCED FLUE GAS STOVE	GAS/LPG	5.6kW/4.5kW	75% / 68%	D/B	N/A	N/A	100-150mm***	N/A	✓	✗
DARWIN CONVENTIONAL FLUE GAS STOVE	GAS/LPG	4.3kW/4.9kW	74%	D/B	N/A	N/A	125mm	4"	✓	✗
FIREFOX 5 ECO	MULTI*	5.0kW	82.5%	A+	✓	✓	125mm	5"	✓	✓
FIREFOX 5 GAS	GAS/LPG	3.8kW NG 3.7kW LPG	81%	D	N/A	N/A	125mm	5"	✓	✗
FIREFOX 8 ECO	MULTI*	2.5-8.0kW	84%	A+	✓	✓	125mm	5"	✓	✓
FIREFOX 8 GAS	GAS/LPG	4.8kW NG 4.5kW LPG	79%	E	N/A	N/A	125mm	4" & 5" #	✓	✗
HELIOS 5 ECO	MULTI*	5.0kW	82.5%	A+	✓	✓	125mm	5"	✓	✓
HELIOS 5 GAS	GAS/LPG	3.8kW NG 3.7kW LPG	81%	D	N/A	N/A	125mm	5"	✓	✗
HELIOS ECO MAX	MULTI*	5kW	86%	A+	✓	✓	125mm	5"	✓	
SOLANO	ELECTRIC	0.9-1.8kW	100%	N/A	N/A	N/A	N/A	N/A	N/A	N/A
TIGER CUB	MULTI*	4kW	79%	A	✓	✓	125mm**	5"	✓	✓
TIGER ECO	MULTI*	5kW	78%	A+	✓	✓	125mm	5"	✓	✗
TIGER GAS	GAS/LPG	4.8kW NG 4.5kW LPG	79%	E	N/A	N/A	125mm	4" & 5"#	✓	✗

\* Only wood and smokeless fuels may be used in clean burn mode

\*\* 100mm - when fitted into a shed, inland marine craft or other buildings for occasional use. 125mm - when fitted into a standard brick built property.

\*\*\* Concentric Flue

# Depending on installation

## STOVE CARE

It is your responsibility to burn the correct fuels at all times, more importantly if you live in a smoke controlled area. High temperature burning fuels can cause damage to your stove and the environment. For guidance on the best fuels to use please refer to the recommendations of the Solid Fuel Association [www.solidfuel.co.uk](http://www.solidfuel.co.uk) and always use approved fuel, in accordance with the manufacturer's instructions.

No responsibility can be accepted if high temperature fuels have been used or if the draught reading on the appliance is not in accordance with the manufacturer's instructions, current standards and building regulations. For the future longevity of your grate, clean the ash away regularly as a build-up beneath the fire will cause the grate to burn out quickly. The grate is a consumable part of your fire and will need replacement from time to time, depending on the frequency, fuel used and burning temperature of your fire.

Most stoves have a riddling grate mechanism to ease de-ashing. Always ensure that ash is removed from your stove (once cooled) regularly. When a build-up of ash occurs, this will affect the life of the consumable parts. Gallery stoves (excluding gas) utilize an 'air wash' system which helps to keep the large viewing glass clean during operation and improve efficiency.

All Gallery stoves are manufactured from cast iron and it is vital that appliances undergo a period of 'burning in'. This involves small fires initially and then gradually increasing in size with each firing. If this process is adhered to then you should experience years of trouble free and enjoyable use.

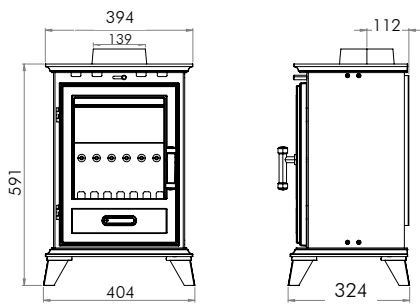
All Gallery stoves are CE approved to EN13240 and are suitable for use with a variety of fuels such as wood, coal, coke, peat, anthracite or smokeless fuels. This does not include house coal due to the volatile temperatures.

For safety, all Gallery solid fuel stoves are supplied with a heat resistant glove, it is always advisable to use this glove when operating the stove as it will become extremely hot during use.

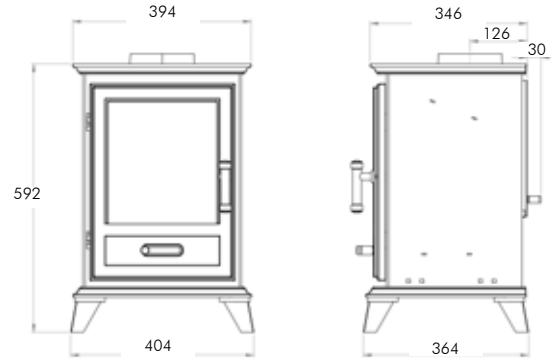
# STOVE DIMENSIONS

All dimensions are in mm. Due to manufacturing processes, all measurements are approximate and may vary slightly. Please allow for a tolerance of plus or minus 12mm.

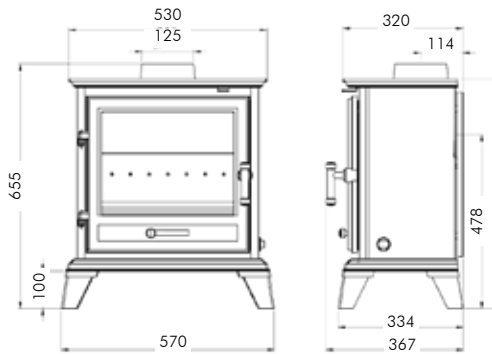
CLASSIC 5 ECO



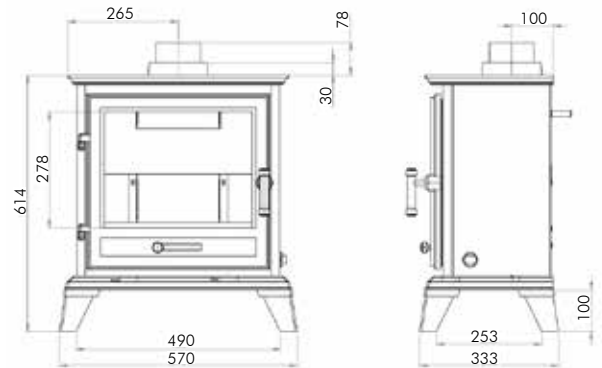
CLASSIC 5 GAS



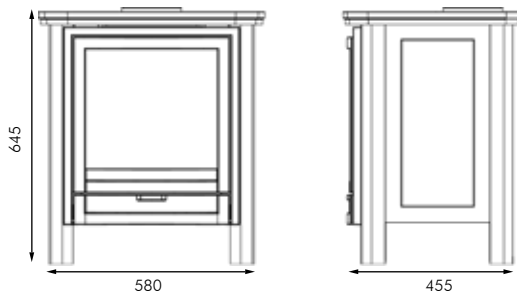
CLASSIC 8 ECO



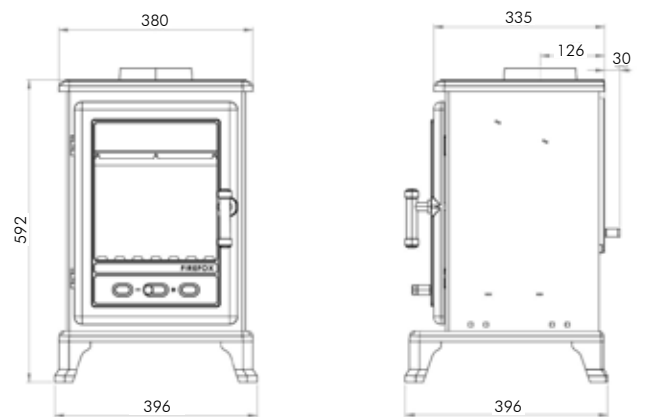
CLASSIC 8 GAS



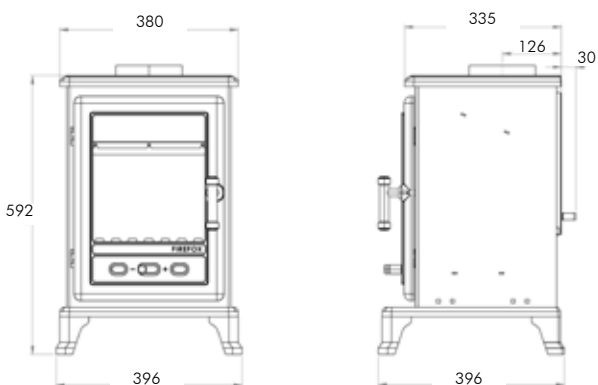
DARWIN GAS STOVE



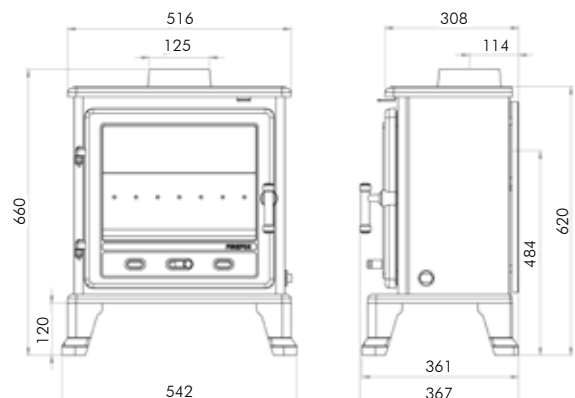
FIREFOX 5 ECO



FIREFOX 5 GAS



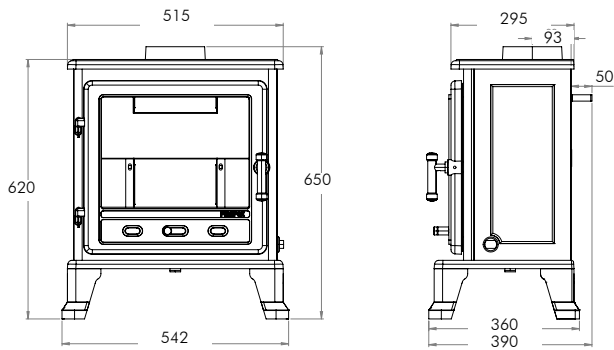
FIREFOX 8 ECO



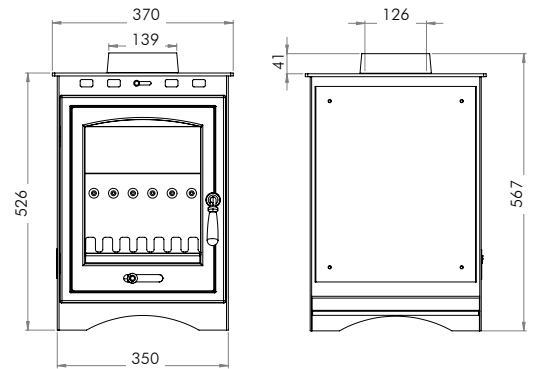
Please see the table on page 45 for installation details in relation to the flue configuration of our stoves, specifically in relation to top and rear flue outlets. The Tiger Gas and Firefox 8 Gas models have a 150mm flue collar but require a 125mm flue. The collar should be packed with rope/fire cement or sleeved with a 6" vitreous pipe to finish.

It is essential that your stove is installed in accordance with Building Regulations and any other standard requirements by a competent person with experience in fitting fireplaces - your retailer will be able to help you select an appropriately qualified installer.

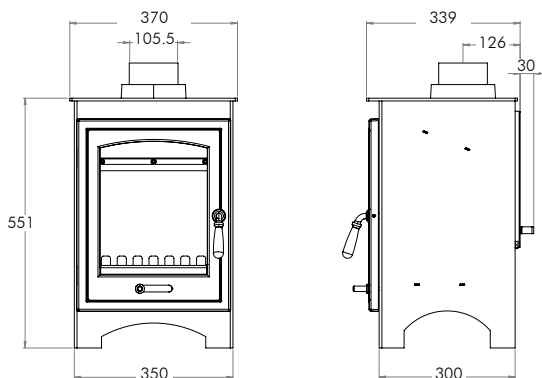
**FIREFOX 8 GAS**



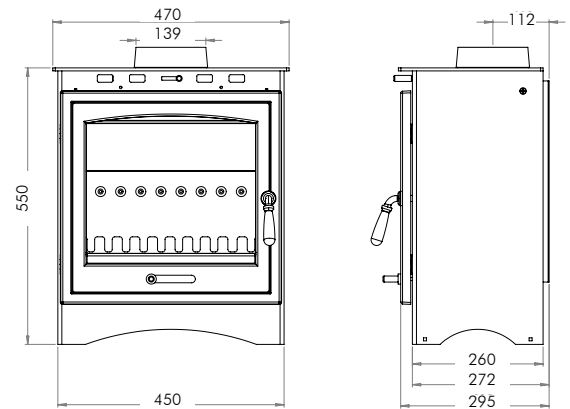
**HELIOS 5 ECO**



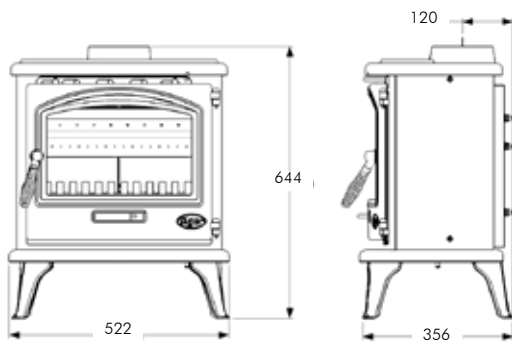
**HELIOS 5 GAS**



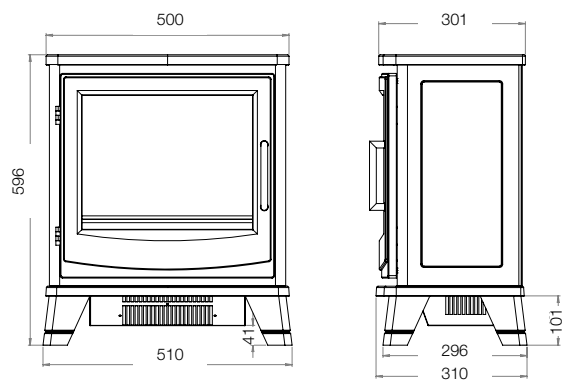
**HELIOS ECO MAX**



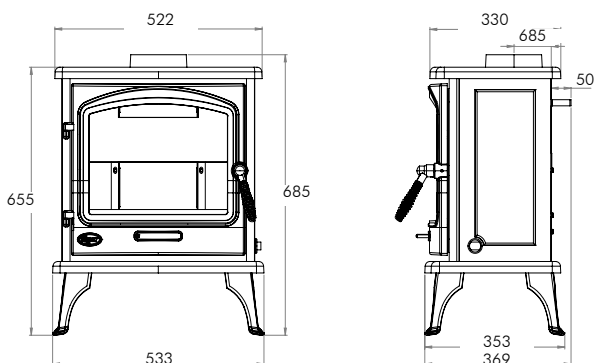
**TIGER ECO**



**SOLANO E**

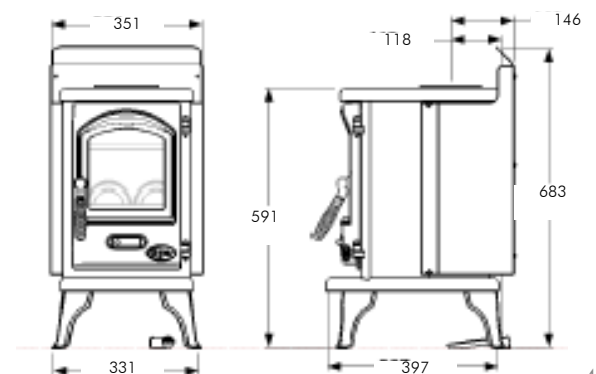


**TIGER GAS\***



**TIGER CUB**

SHOWN WITH OPTIONAL REAR HEAT SHIELD



# INSTALLATION

Your Gallery fireplace is made up of a number of different components and it is important to ensure that your installer has the necessary qualifications and experience to fit ALL the components of a fireplace.

All gallery appliances are supplied with detailed, comprehensive installation and user instructions. All installations must be in accordance with the manufacturer's instructions, current building regulations and subsequent British standards. The installation should only be carried out by a qualified competent persons. For all gas appliances, a Gas Safe registered engineer and for solid fuel, a HETAS registered engineer. Failure to comply with these requirements may render the appliance unsafe in the first instance, impede on the efficiency and serviceability of your appliance and ultimately invalidate any warranty.

All installers in order to satisfy the terms and conditions of our warranty must be registered with the appropriate regulating bodies as deemed by Percy Doughty. All gas installers within the UK must be registered with the Gas Safe Register. In the Republic of Ireland the Board Gais and for solid fuel installations all installers must be registered with HETAS and for Scotland be compliant with the current Technical Handbook – Domestic.

It is important that you retain all documentation following the installation as this will be required in order to activate the warranty if needed. The documentation should be supplied by building control following successful registration of each installation by the installer, for both gas and solid fuel appliances together with any commissioning certificates, benchmarks and service records completed in the rear of the installation manual. It would be the responsibility of the installer to provide all the necessary information, however in some circumstances where documentation is absent then communications with your local building control officer may be beneficial, for solid fuel installations only.

When installing any Granite, Slate or Limestone hearth please ensure the area is flat and free from debris and dust, preferably to be situated on a concrete sub hearth. We would also recommend that the under surface only is primed/sealed with a suitable PVA glue or equivalent and left to dry sufficiently, prior to bedding down. The hearth would then need to be bedded down on a strong sand and cement bed with a medium consistency, taking into account the need to fill any voids, spaces and support points to accommodate the safe functioning of the whole installation when completed. We would also advise that when installing the mantel, always prime and seal the under surface that will come into contact with any adhesive or water based mixes. Failure to adhere to the advice given may result in moisture patches appearing that may stain and damage the material, these effects may be irreversible and render the installation unfit for purpose.

Marble and micromarble are not suitable for solid fuel applications. The colours shown in this brochure are as accurate as possible. If the colour you require is critical then please consult your retailer before making your decision.

When you are identifying your chimney please see page 44 in the brochure. If you are not clear please consult your HETAS or Gas Safe Registered (Board Gais in Republic of Ireland) installer or your approved stockist.

Gas fires within The Gallery Collection with a gas input of 6.9kW or less do not normally require additional ventilation, however there are some circumstances where additional ventilation may be required. This would be determined by your installer when completing a survey before installation. For appliances with an input of 6.9kw or over, please ask your retailer for further information on the additional ventilation requirements.

When fitting a decorative gas fire within a basket the manufactures instructions and current British standard BS 5871 Part 3, must be followed, and in doing so a risk assessment must be completed by the installer to ensure that a sufficient gap is provided around the basket when placed inside the builders opening or purpose built fire chamber. This is essential for the adequate service and future maintenance of the appliance and also allowing for good access to the controls. It is also important for air flow cooling around the appliance basket, which would also allow for the best possible flame picture. It is also an important consideration to ensure the correctly rated materials have been used within the builders opening or purpose built chamber.

Your new gas appliance will require an annual service and maintenance but not limited to, dependent on use. It is a requirement of the warranty that this is carried out by a qualified competent person registered with the appropriate regulatory body as deemed by Percy Doughty. In doing so will help you enjoy many years of trouble free usage of your appliance.

All cast iron products are manufactured in ISO 9002 accredited manufacturing facilities.

All the gas fires we supply are tested in accordance with CE requirements and are CE marked.

All measurements are approximate and may vary slightly so allow for a tolerance of plus or minus 12mm.

To achieve some of the colour options, we plate the products using a variety of manufacturing processes. "Antique Brass finish" or "Chrome finish" are not brass or chrome.



# CLEANING

When cleaning the outer body of your gas/wood burning or multifuel stove, we do not recommend the use of any sprayed cleaning products, including water. We also do not recommend the use of a wet/damp cloth or rag to wipe away dust or ash, as this can also cause small areas of corrosion and rusting formations. Care should also be taken not to have any overspray on the body of the stove, when cleaning the glass with any spray glass cleaner product. Unfortunately, rust and corrosion can sometimes happen when the stove is not used frequently, continuously exposed to water, moisture and oxygen combined. In all instances this natural process of oxidation can occur with all ferrous metaled stoves. When dusting and removing settlements of ash, we would only recommend the use of a soft bristle brush, or a dry microfibre cloth is used to keep the stove looking in the best possible condition. If marks are left from deposits of ash, then the gallery black grate polish can be applied to restore the area to its natural state.

# GENERAL

All the images throughout this brochure are for illustrative purposes only and are as accurate as possible. Some natural materials may vary due to the nature of the products, but if the colour you require is critical then please consult your retailer before basing all your decisions on the colours shown here.

Some room sets may appear not to comply with the requirements of the latest building regulations, we would always advise that you check your proposal with your approved fitter before proceeding with any project.

Please also note that shading and crazing are characteristics of the glazed tiles used in tiled inserts and tiled hearths.

There are occasions when designs, or products are altered or discontinued without prior notice (a reserved right), so if you are about to set your heart on a particular fireplace, please consult your retailer before making that final commitment.

All installations must be carried out in accordance with the requirements set out in the Building Regulation.

Your Gallery fireplace is made up of a number of different components and it is important to ensure that your installer not only meets the requirements above, but that they also have the necessary experience to fit ALL those components.

Before committing to a fireplace, please discuss your particular installation with your retailer who will provide expert advice and carry out a survey.

# DISCLAIMER

We reserve the right to change or withdraw details, prices or specifications without prior notice. Every effort has been made to ensure the accuracy of information in this brochure. All dimensions are given for your convenience and should only be used as a guide. Colour reproduction is as accurate as current printing methods allow. We cannot be held responsible for changes or matters outside our control.





THE  
**GALLERY**  
COLLECTION



[WWW.THEGALLERYCOLLECTION.CO.UK](http://WWW.THEGALLERYCOLLECTION.CO.UK)

01204 868 550

[INFO@THEGALLERYCOLLECTION.CO.UK](mailto:INFO@THEGALLERYCOLLECTION.CO.UK)